

# FPM-3191G

## 9U Rackmount, 19" SXGA Industrial Monitor with Resistive Touch Control, Direct VGA, and DVI Ports



### Features

- 19" SXGA TFT LED LCD with 50K backlight lifetime
- Robust design with stainless steel chassis and aluminum front panel
- Anti-glare screen with tempered glass and IP65-certified front panel
- Lockable OSD control pad on rear cover
- Supports 24 V<sub>DC</sub> power input
- Supports panel, wall, desktop, rack, or VESA arm mounting
- Supports 9U pre-drilled rackmount mounting holes

### Introduction

FPM-3191G is a 19" color TFT LCD flat panel monitor specifically designed for industrial applications. With a display size of 19", FPM-3191G provides an adequate display area with sharp and vivid images. The monitor also supports direct VGA signal transmissions, allowing users to upgrade the displays without altering the existing infrastructure. The provision of OSD function keys makes it easy to adjust the onscreen display. Furthermore, the stainless steel chassis and IP65-rated aluminum front panel ensure suitability for industrial applications.

### Specifications

#### General

- **OSD Controls** OSD control pad on front panel
- **Certification** BSMI, CCC, CE, FCC Class A, UL
- **Dimensions (W x H x D)** 482 x 399.2 x 67 mm (18.98 x 15.71 x 2.64 in)
- **Enclosure**  
Front panel: Aluminum with coating  
Rear cover: Stainless steel chassis
- **Mount Options** Panel, wall, desktop, VESA arm, and 19" rackmount
- **Power Input** Phoenix Jack: 24 V<sub>DC</sub> input
- **Power Consumption** 18 W + 20%
- **Video Port** VGA & DVI-D port
- **Weight (Net)** 10.65 kg (23.46 lbs)

#### LCD Display

- **Display Type** SXGA TFT LCD with LED backlight
- **Display Size** 19"
- **Max. Resolution** 1280 x 1024
- **Max. Color** 16.7M
- **Viewing Angle (H/V °)** 170/160
- **Luminance (cd/m<sup>2</sup>)** 350
- **Backlight Life** 50,000 hr
- **Contrast Ratio** 1000:1

#### Touchscreen

- **Driver** Penmount 6000
- **Interface** RS-232 and USB
- **Lifespan** 35 million touches at a single point
- **Light Transmission** > 80%
- **OS Support** Windows XP,2000,Vista,7,8/8.1,10 , XP/7/8/10 Embedded,CE,Linux
- **Power Consumption** +5 V @ 100 mA
- **Touch Resolution** Linearity

#### Environment

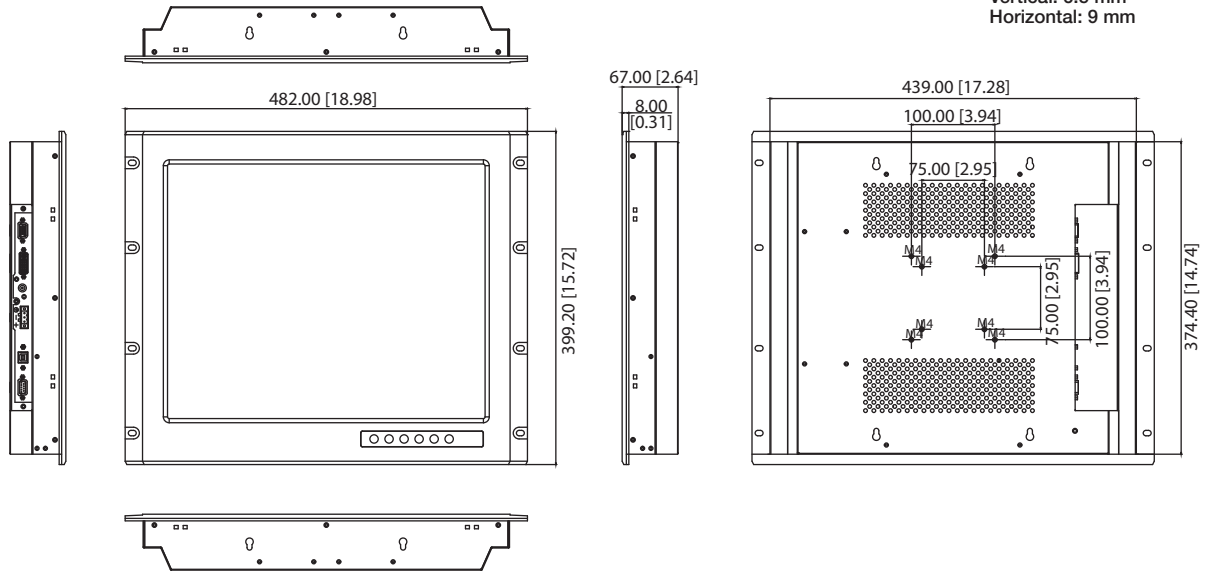
- **Operating Temperature** -20 ~ 60 °C (-4 ~ 140 °F)
- **Storage Temperature** -30 ~ 80 °C (-22 ~ 176 °F)
- **Humidity (Storage)** 90% @ 50 °C non-condensing
- **IP Rating** Front panel is IP65 compliant
- **Vibration** 5 ~ 500 Hz, 1 Grms (Operating, Random)

## FPM-3191G

### Dimensions

Unit: mm [inch]

Rackmount hole diameter  
Vertical: 6.5 mm  
Horizontal: 9 mm



**Panel Cutout Dimensions: 441 x 376.4 mm (17.36 x 14.81 in)**

### Ordering Information

- **FPM-3191G-R3BE** 19" SXGA Ind. Monitor w/ Resistive TS (Combo)

### Optional Accessories

- **1702002600** Power Cable US Plug 1.8 M
- **1702002605** Power Cable EU Plug 1.8 M
- **1702031801** Power Cable UK Plug 1.8 M
- **1700000596-11** Power Cable China/Australia Plug 1.8 M (Direct rack mounting, no need accessory)
- **96PSA-A60W12V1-1** Adapter 100-240V 60W 12V 5A
- **96PSA-A60W24T2** Adapter 100-240V 60W 24V 2.5A
- **FPM-3001G-ADKE** Adapter bracket for FPM-3000 15"/17"/19"

### I/O View

